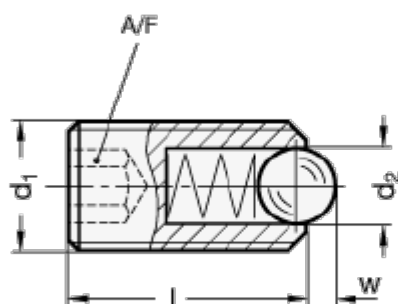


Article number: 206153M24KSNPFB

Description: E+G stainless steel spring plungers 615.3-M24-KSN-PFB

## Measures



Thread locking **PFB**  
Polyamide patch  
for type **KN**



Thread locking **PFB**  
Polyamide patch  
for type **KSN**



Thread locking **MVK**  
Micro encapsulation precote  
(for all types)

|                              |       |
|------------------------------|-------|
| A/F                          | = 12  |
| d1                           | = M24 |
| d2                           | = 15  |
| l                            | = 48  |
| Max. spring load in N        | = 237 |
| Preload spring pressure in N | = 127 |
| w                            | = 5.5 |